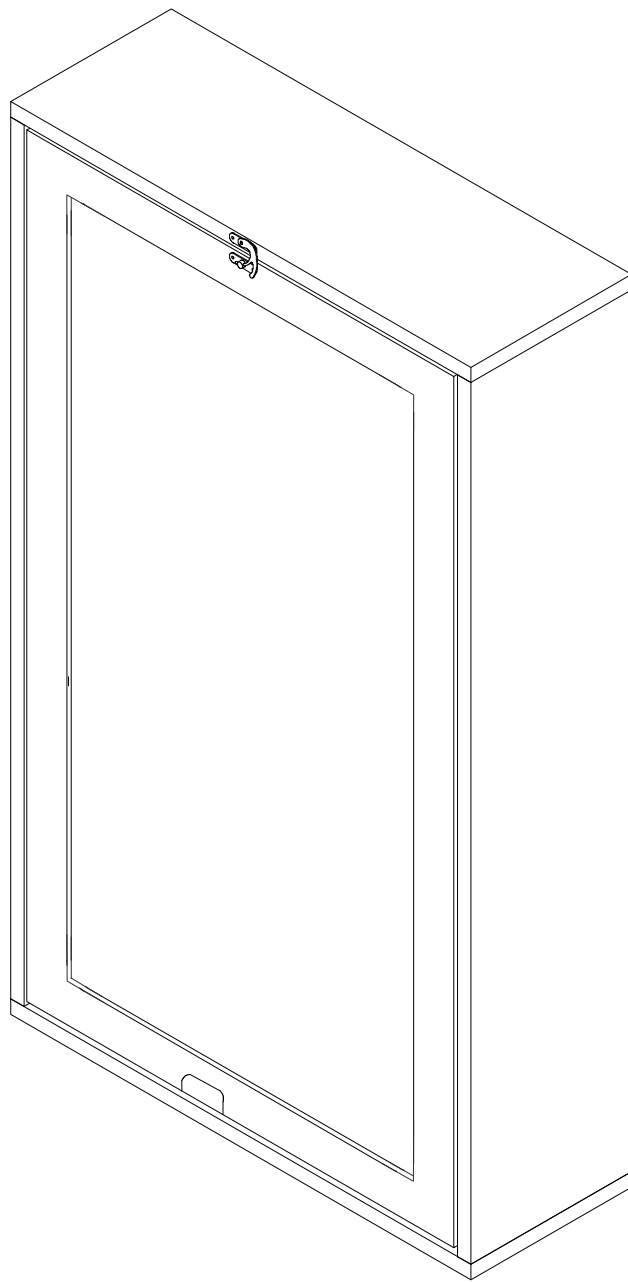
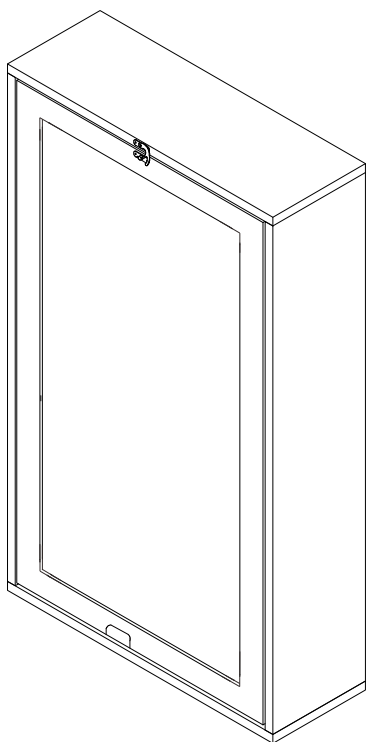
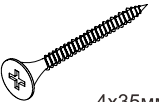


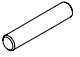

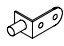
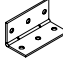

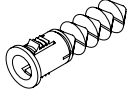


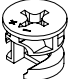
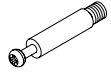



WI12394



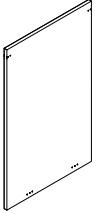
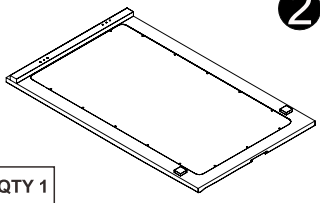
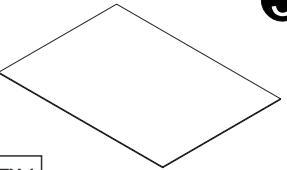
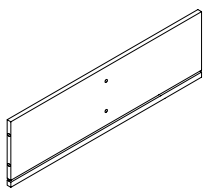
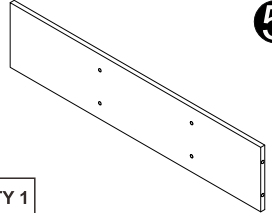
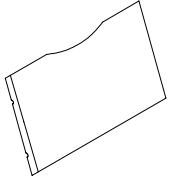
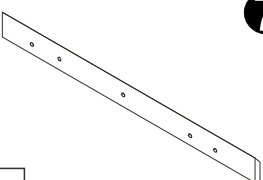
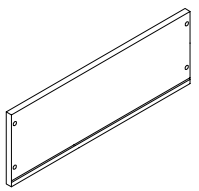
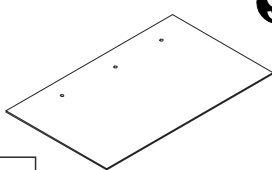
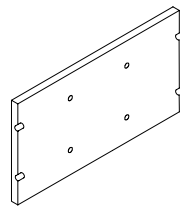
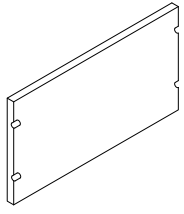
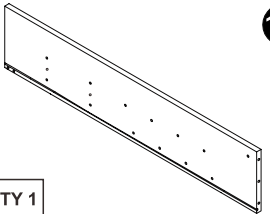
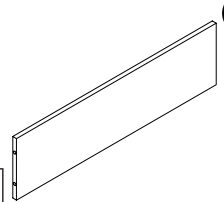
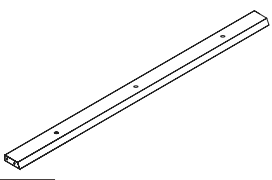
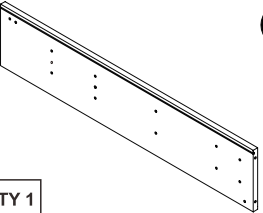
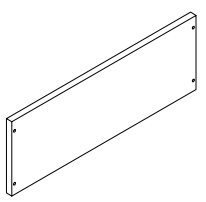
# Installation Instructions

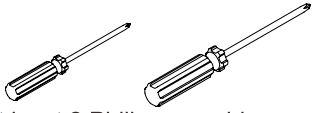


 4x35MM	 6x30MM	 3x12MM	
<b>A</b> 26PCS	<b>B</b> 13PCS	<b>C</b> 22PCS	<b>D</b> 24PCS
 3x18MM			
<b>E</b> 2PCS	<b>F</b> 2PCS	<b>G</b> 2PCS	<b>H</b> 1PC
			
<b>I</b> 8PCS	<b>J</b> 1SET	<b>K</b> 3PCS	<b>L</b> 2PCS
			
<b>M</b> 2PCS	<b>N</b> 18PCS		

Before assembling the product, all shelves and screws should be ready and arranged in order. Requiring at least two adults to assemble this product.

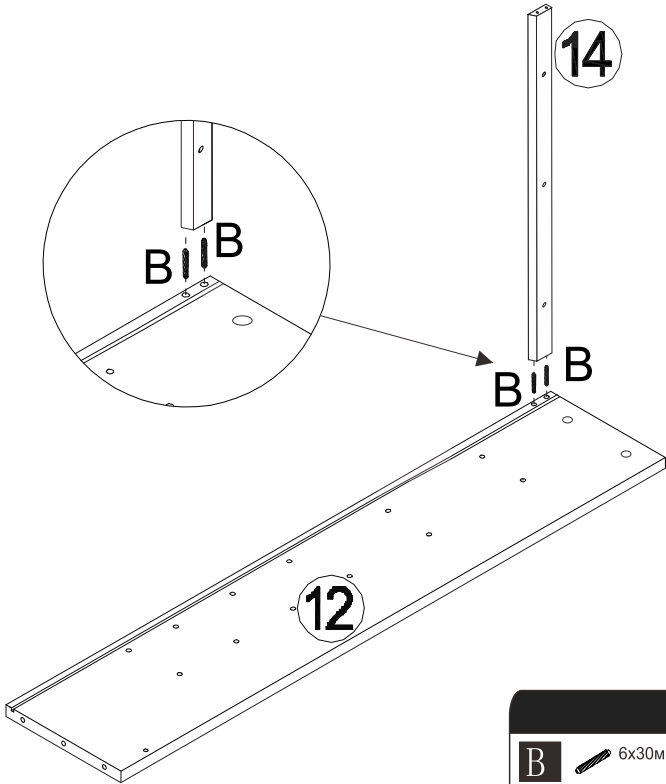
The parts numbers are stucked on the side of each board.

 <b>1</b> QTY 1	 <b>2</b> QTY 1	 <b>3</b> QTY 1	 <b>4</b> QTY 1
 <b>5</b> QTY 1	 <b>6</b> QTY 4	 <b>7</b> QTY 1	 <b>8</b> QTY 1
 <b>9</b> QTY 1	 <b>10</b> QTY 1	 <b>11</b> QTY 1	 <b>12</b> QTY 1
 <b>13</b> QTY 1	 <b>14</b> QTY 1	 <b>15</b> QTY 1	 <b>16</b> QTY 1

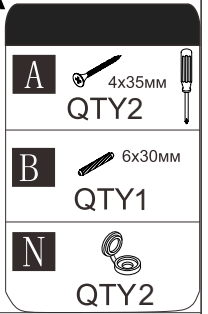
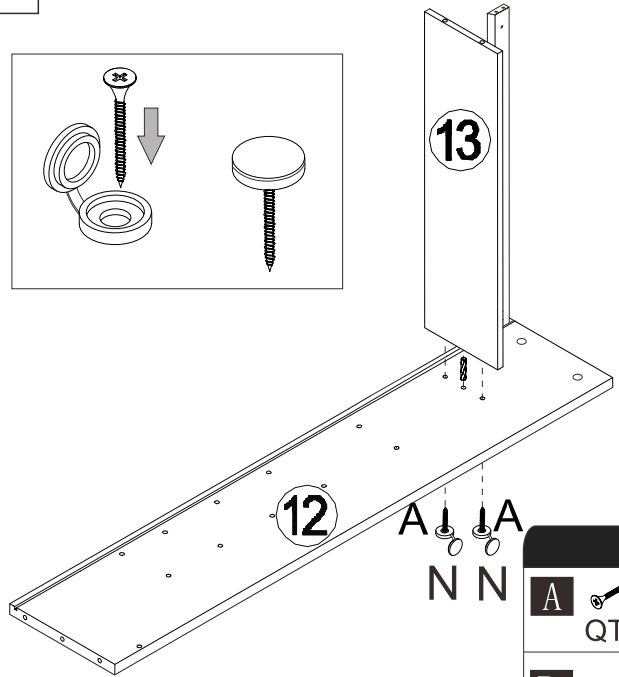


At least 2 Philips screwdrivers  
needed: 1) Around 4" length  
2) 7" length  
(NOT INCLUDED)

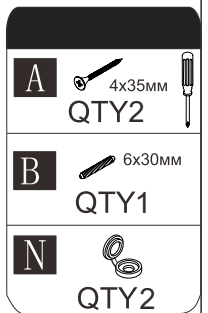
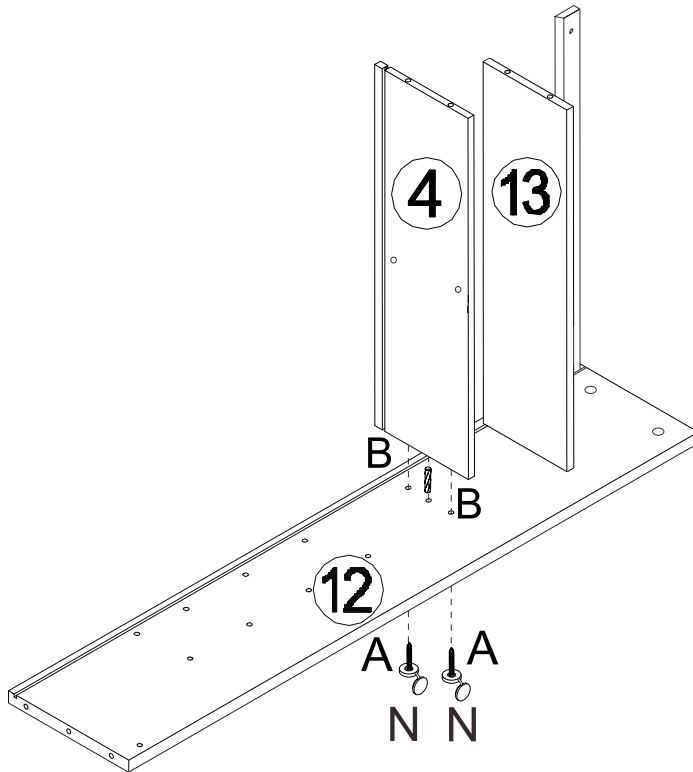
1



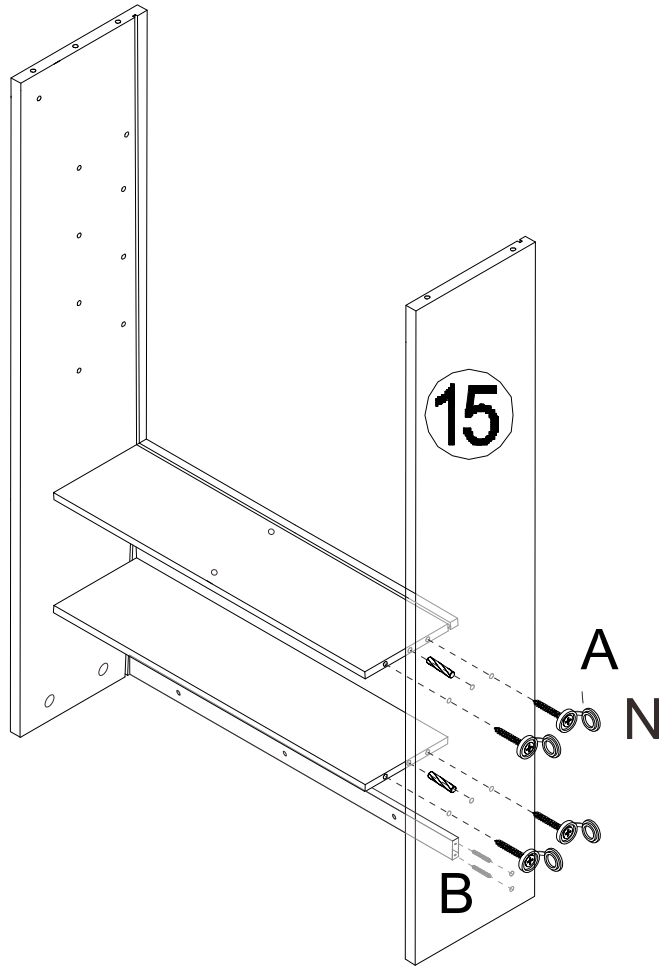
2







3

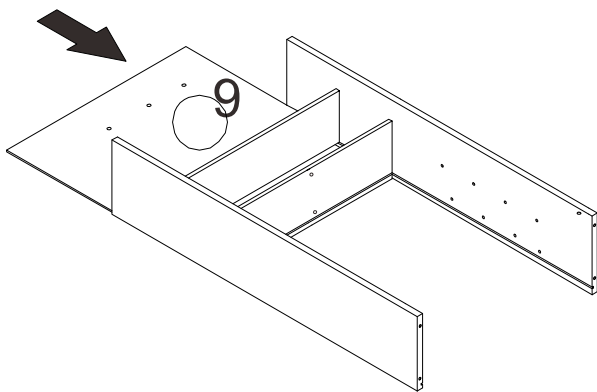


4

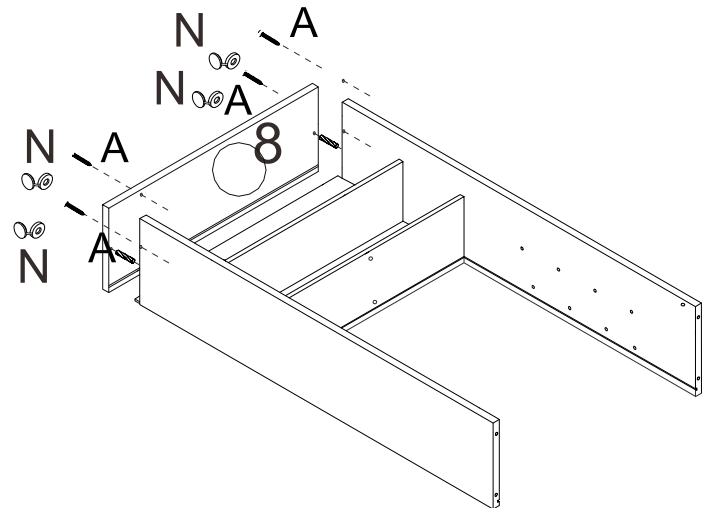






<b>A</b>	 4x35MM	
	QTY 4	
<b>B</b>	 6x30MM	
	QTY 6	
<b>N</b>		
	QTY 4	

5

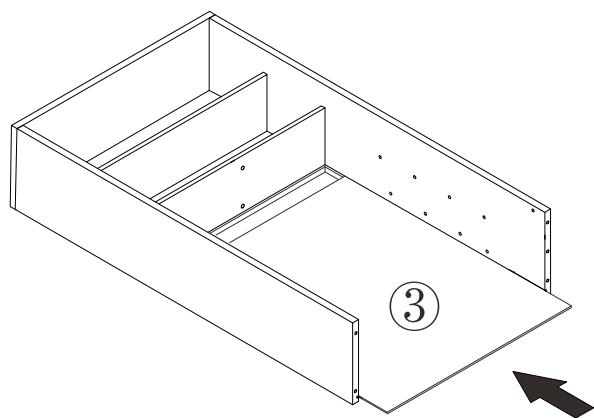


6

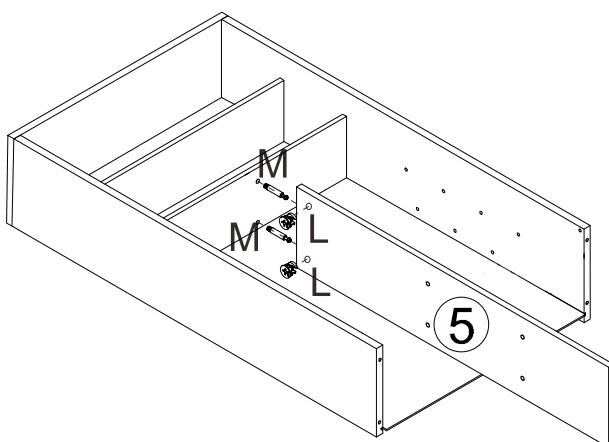





<b>A</b>	 4x35MM	
	QTY 4	
<b>B</b>	 6x30MM	
	QTY 2	
<b>N</b>		
	QTY 4	

7

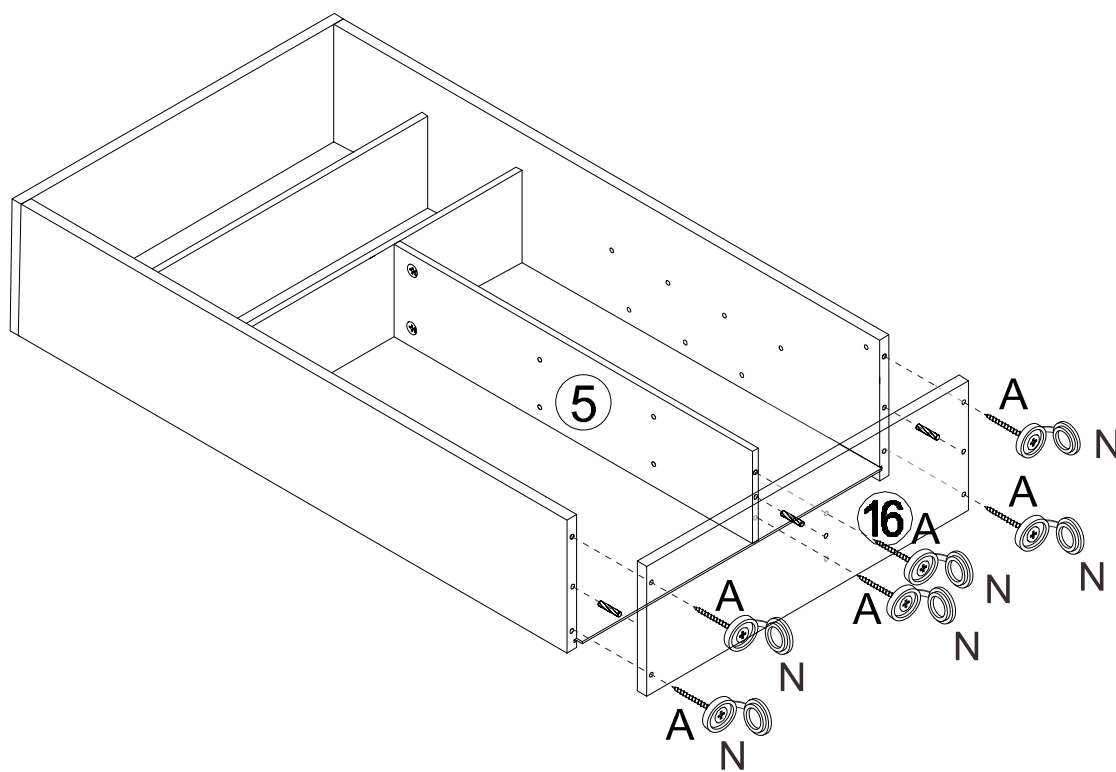






8



<b>L</b>		
	QTY 2	
<b>M</b>		
	QTY 2	

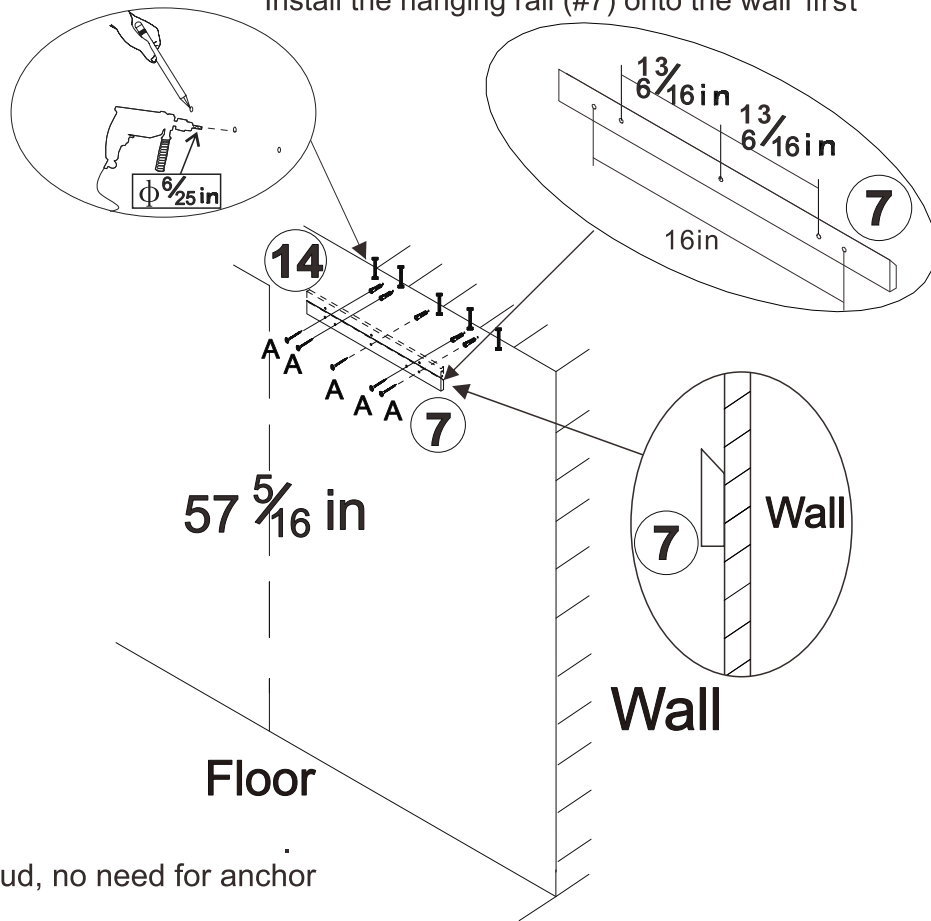
9



<b>A</b>		4x35MM	
	QTY 6		
<b>B</b>		6x30MM	
	QTY 3		
<b>N</b>			
	QTY 6		

10

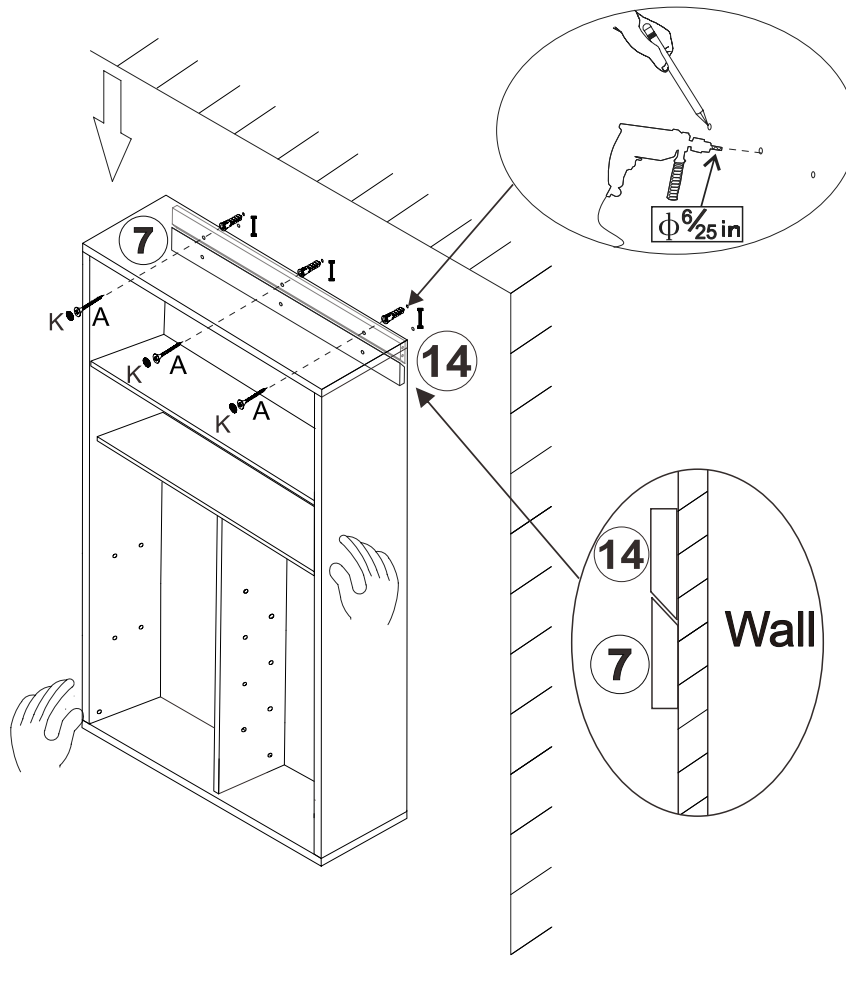
Install the hanging rail (#7) onto the wall first



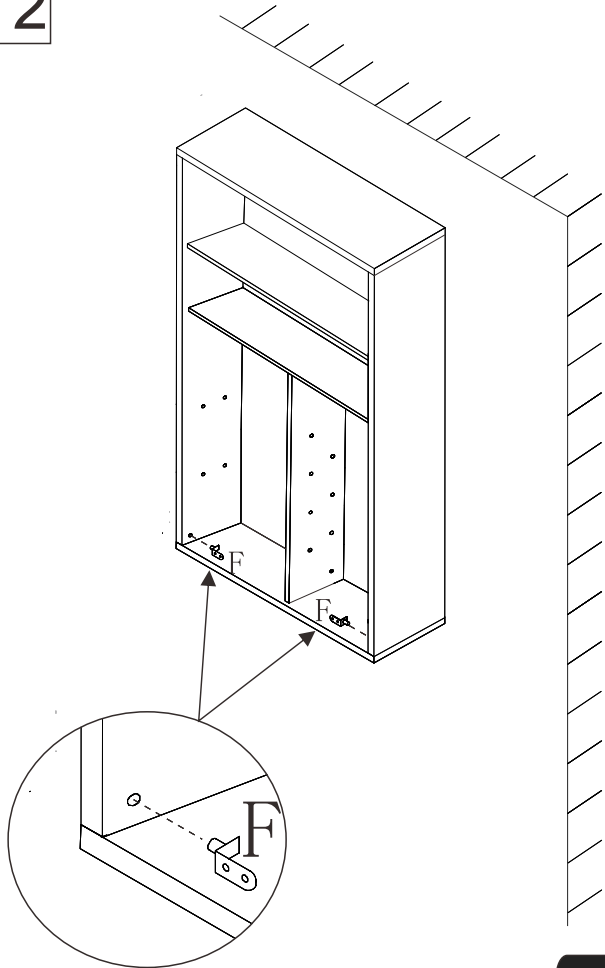
If screwing into stud, no need for anchor

11

Then hang the cabinet onto the hanging rail.

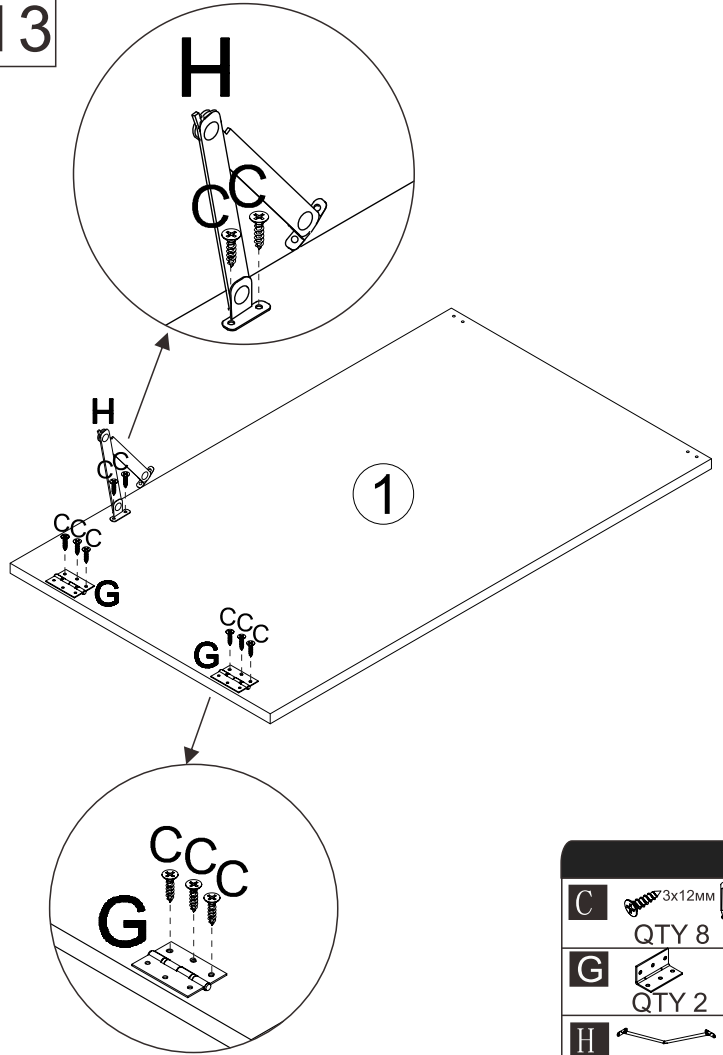


12



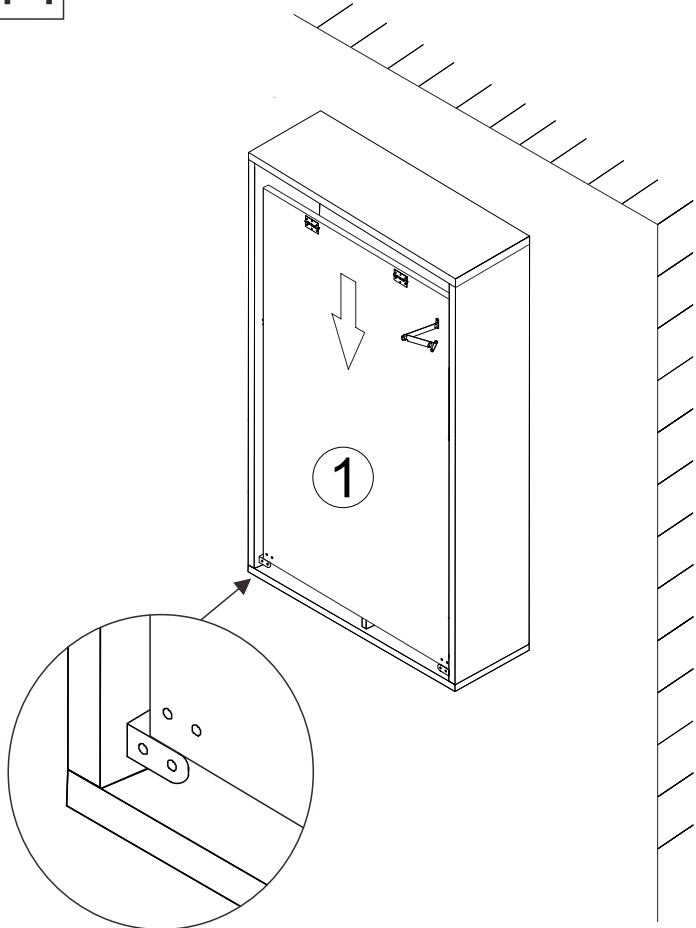
**F**  
QTY 2

13

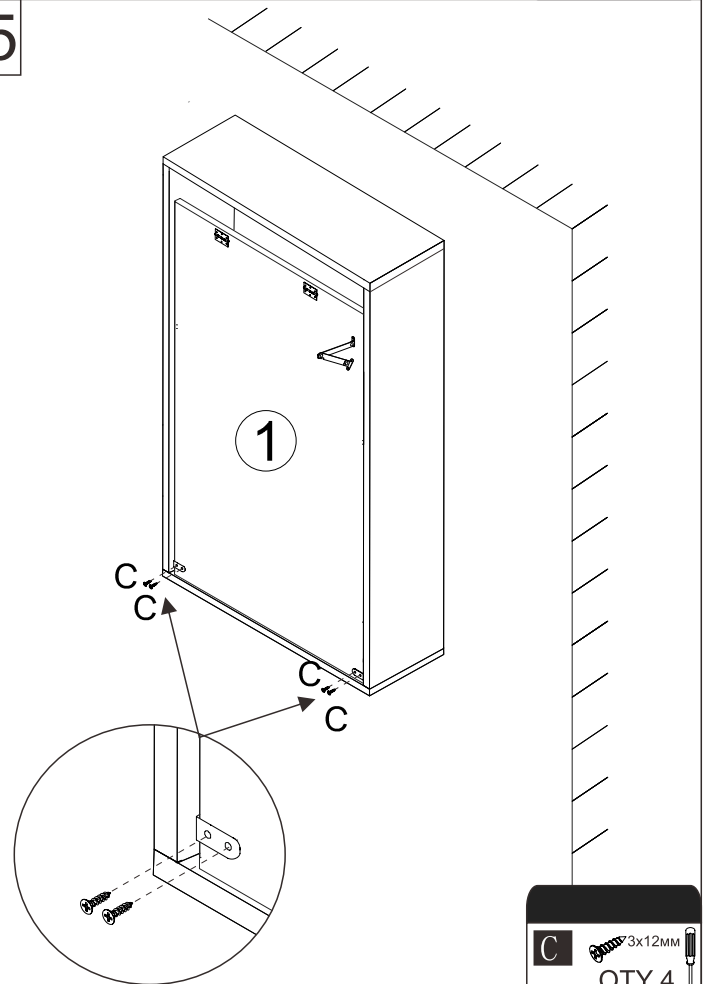


<b>C</b>	3x12mm QTY 8
<b>G</b>	QTY 2
<b>H</b>	QTY 1

14

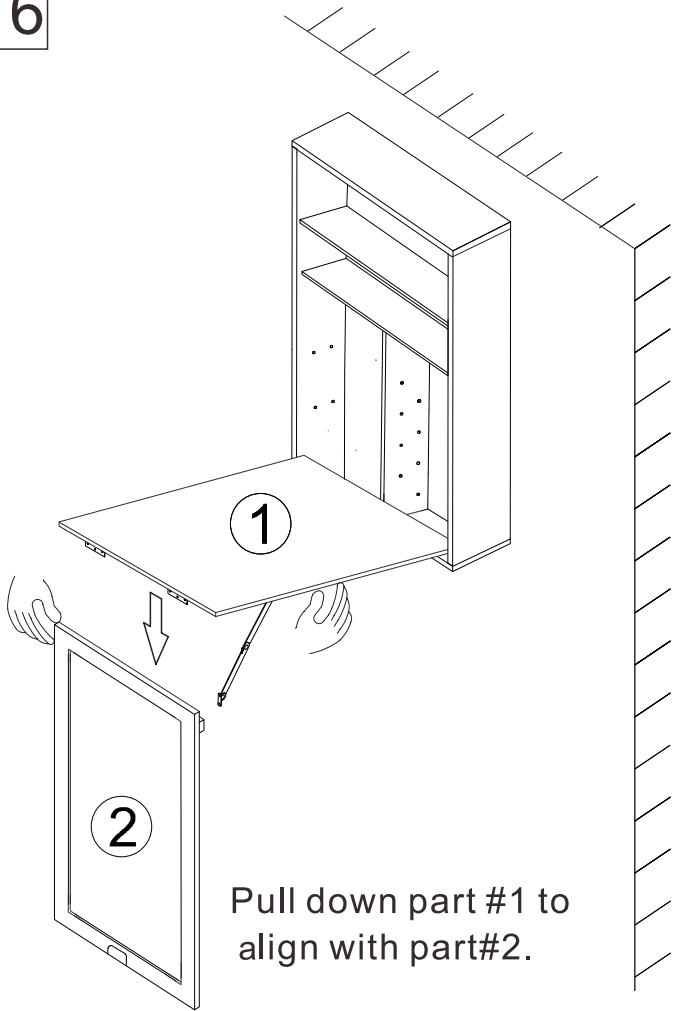


15



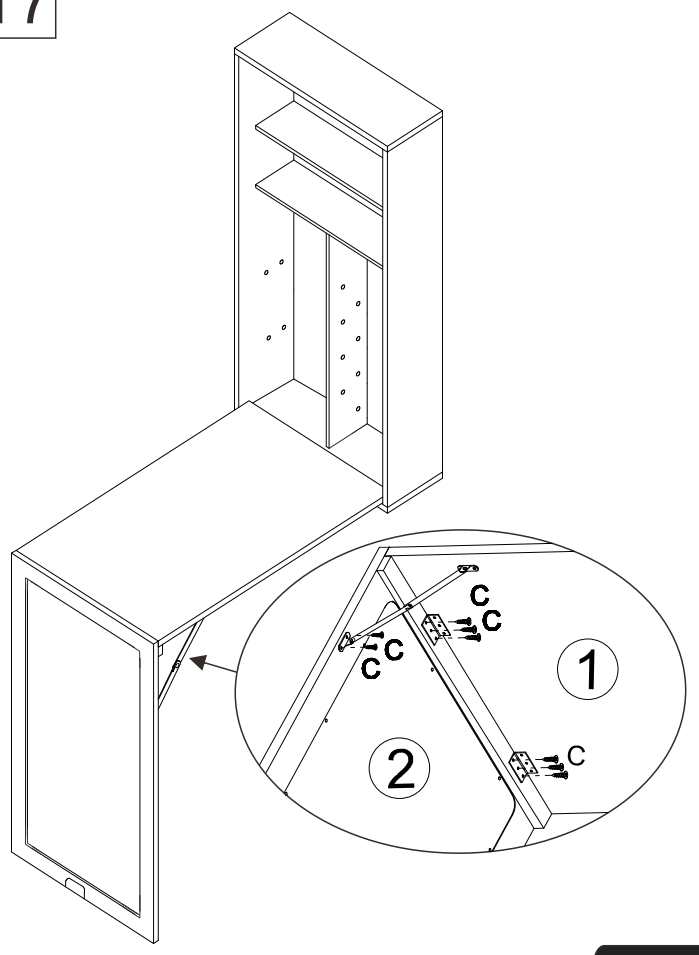
**C**  
3x12mm  
QTY 4

16



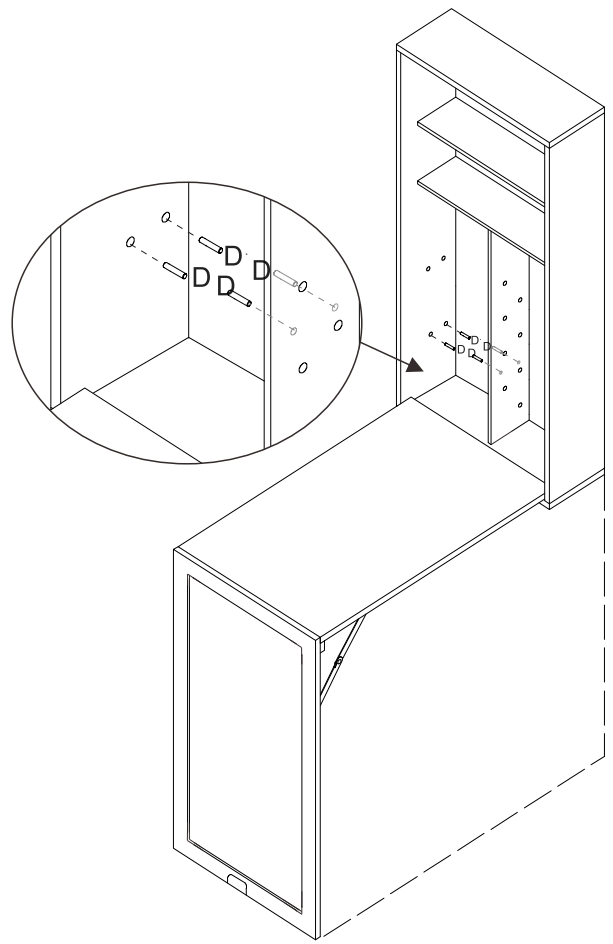
Pull down part #1 to align with part#2.

17



**C**  3x12MM  
QTY 8 

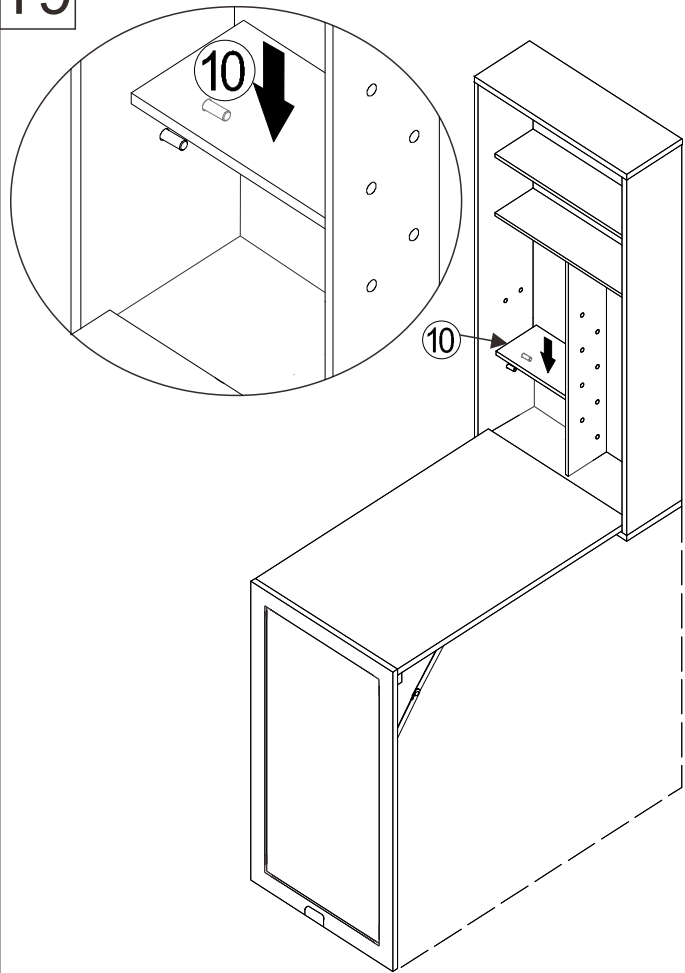
18



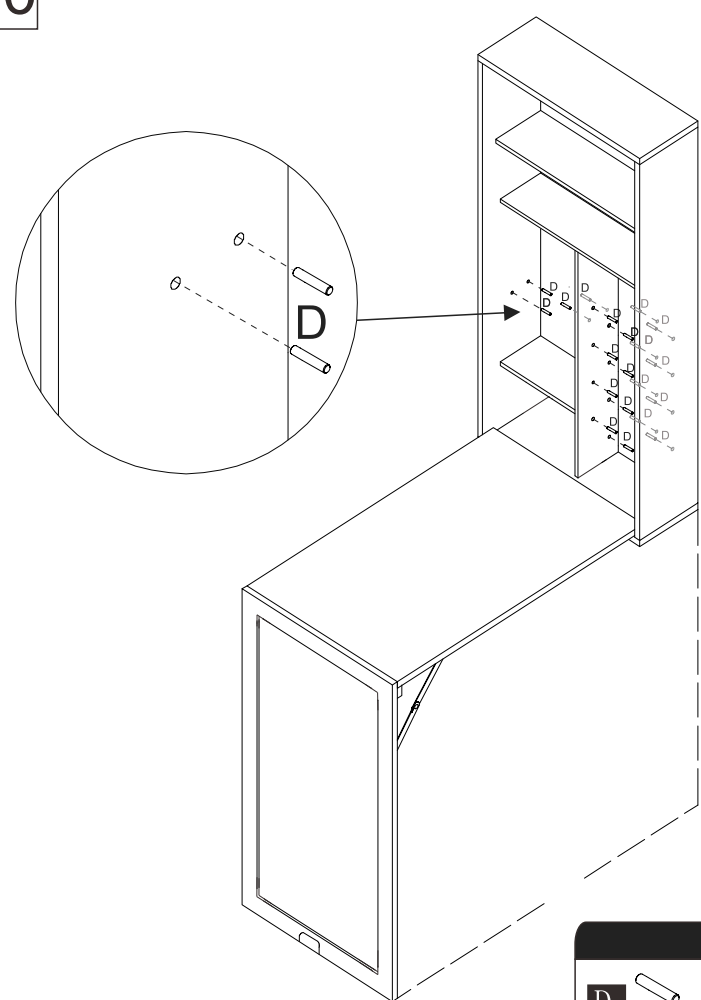
**D**    
QTY 4



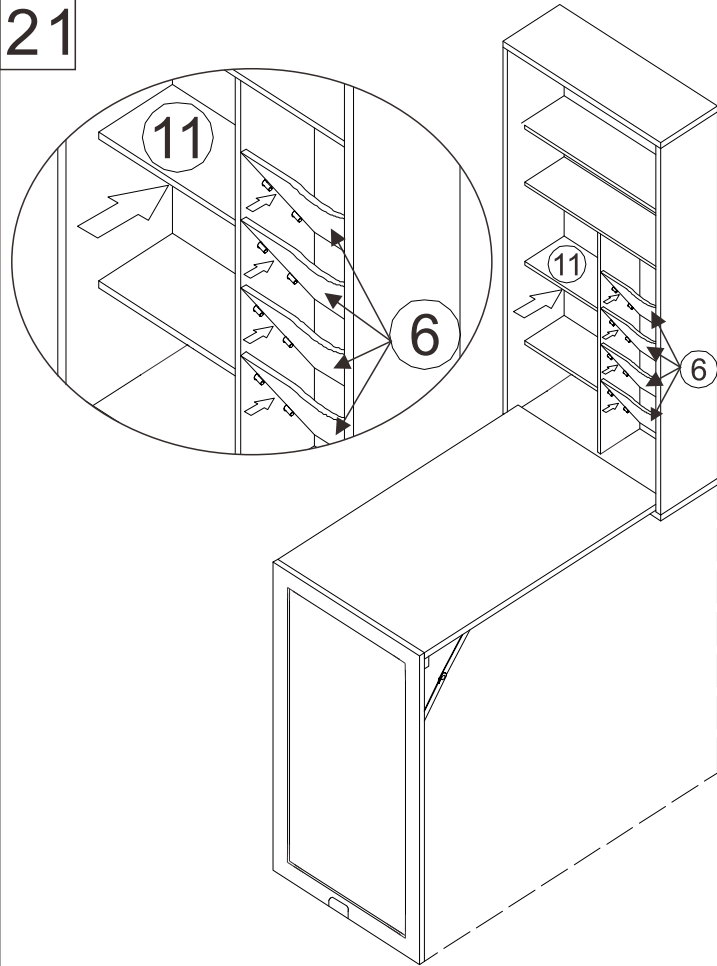
19



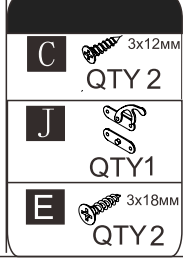
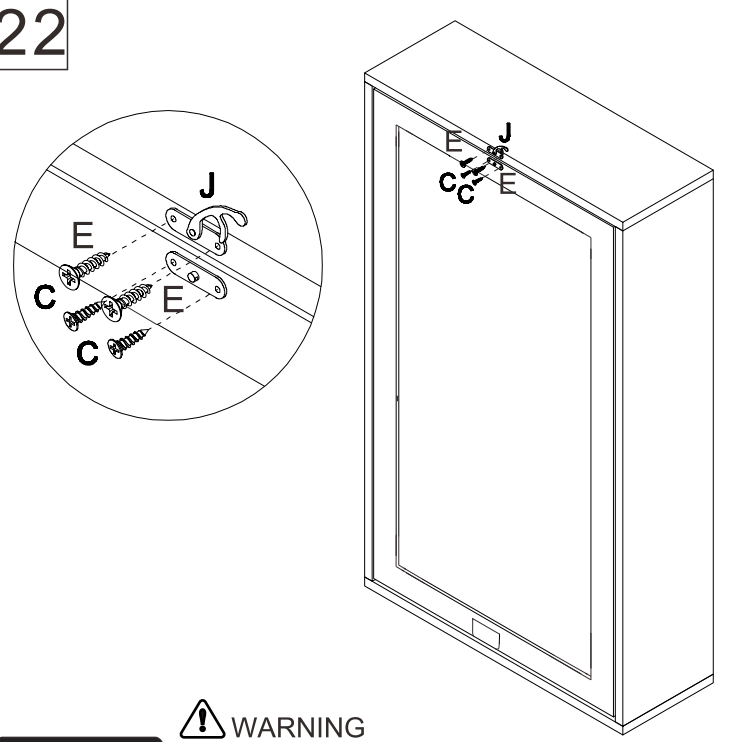
20



21



22



**⚠ WARNING**  
 Manufacturer and seller expressly disclaim any and all liability for personal injury, property damage or loss, whether direct, indirect, or incidental, resulting from the incorrect attachment, improper use, inadequate maintenance, or neglect of this product.